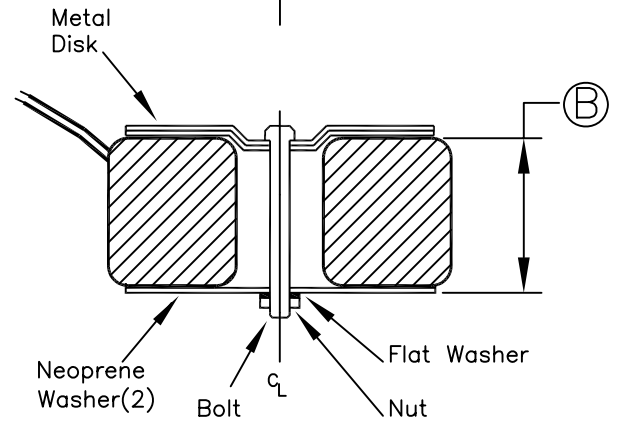
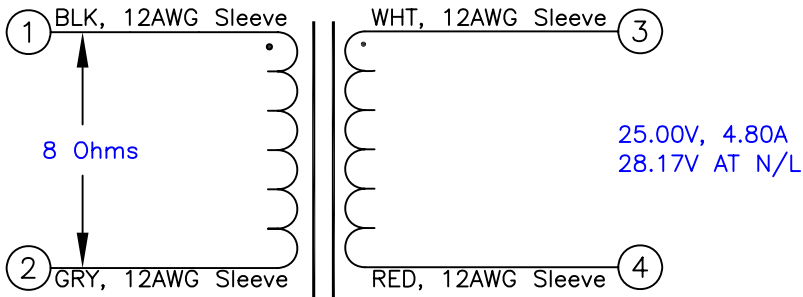
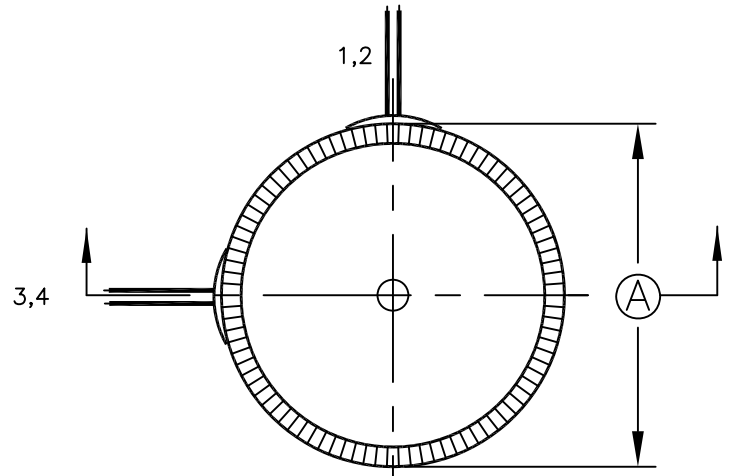


# STANDARD

POWER:	VA	120
TEMPERATURE RISE:	°C	*35
EFFICIENCY:	%	*88
WEIGHT:	kg	*2.2
FREQUENCY:	Hz	35



DIMENSIONS				
REF	Unit:	(nom)	(max)	TOLERANCE
A	mm	*113		
B	mm	*46		

## LABEL

PLITRON MANUFACTURING INC.  
 5AT248/25-01 DATE CODE VA:120 F:35  
 INPUT: 8 Ohms BLK/GRY  
 OUTPUT: 25V WHT/RED

LEADS	LENGTH +/-10mm	TERMINATION +3/-0mm
1-4	200	STRIP 6mm

## NOTES:

1. All leads are magnet wire with PVC sleeve.

\* Calculated value

V=VAC rms A=I rms

C/T= Center Tap

N/L= No load



This document is the property of Plitron Manufacturing Inc. It is not to be copied or transmitted or used as the basis for manufacturing of apparatus without written permission.  
 Copyright Plitron Manufacturing Inc.

## TOROIDAL POWER TRANSFORMER

DESIGN BY:

DATE:

DWG NO. 5AT248/25-01

DRAWN BY:

DATE:

CHECKED BY:

DATE:

APPROVED BY:

DATE:

SCALE N/A

SHEET 1 OF 1