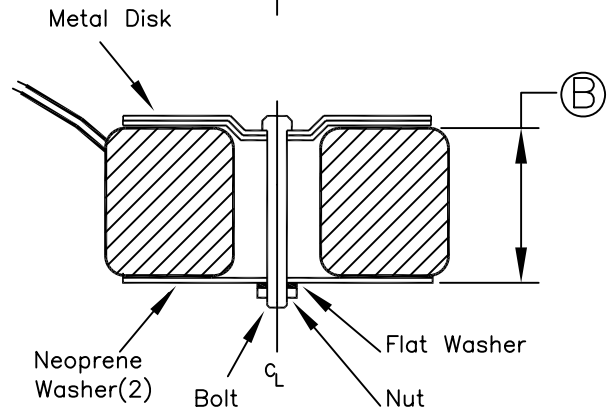
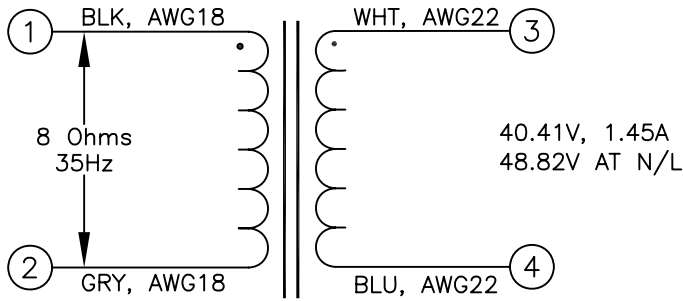
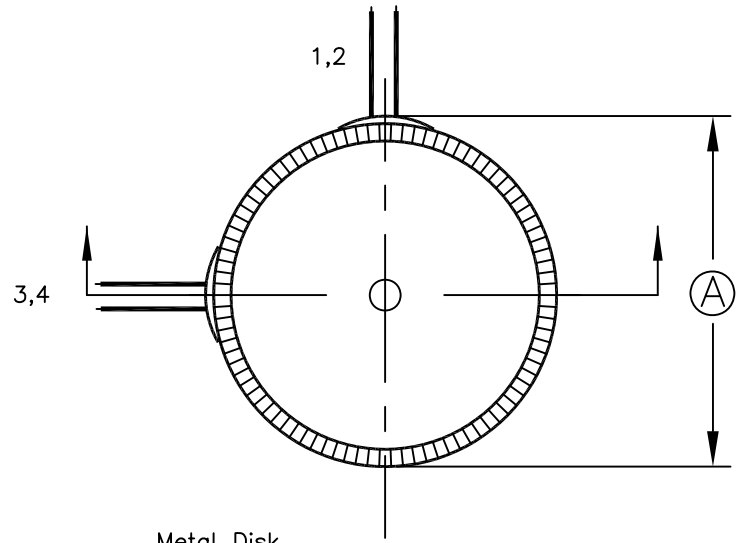


STANDARD

POWER:	VA	60
TEMPERATURE RISE:	°C	*41
EFFICIENCY:	%	*83
WEIGHT:	kg	*0.8
FREQUENCY:	Hz	35



DIMENSIONS				
REF	Unit:	(nom)	(max)	TOLERANCE
A	mm	*94		
B	mm	*37		

LABEL

PLITRON MANUFACTURING INC.
 3AT128/70-03 DATE CODE VA:60 F:35
 INPUT: 8 Ohms BLK/GRY
 OUTPUT: 70V WHT/BLU



LEADS	LENGTH +19/-6mm	TERMINATION ±3mm
1-4	200	STRIP 15mm

NOTES:

1. All stranded leads are rated for 105°C, 600V minimum.

* Calculated value

V=VAC rms A=I rms

C/T= Center Tap

N/L= No load



This document is the property of Plitron Manufacturing Inc. It is not to be copied or transmitted or used as the basis for manufacturing of apparatus without written permission.
 Copyright Plitron Manufacturing Inc.

TOROIDAL POWER TRANSFORMER

60VA, 8 Ohms INPUT, 35 Hz

DESIGN BY: E.TAM
 DRAWN BY: GK
 CHECKED BY:
 APPROVED BY:

DATE: 04/05/2007
 DATE: 04/05/2007
 DATE:
 DATE:

DWG NO. **3AT128/70-03**

SCALE N/A SHEET 1 OF 1