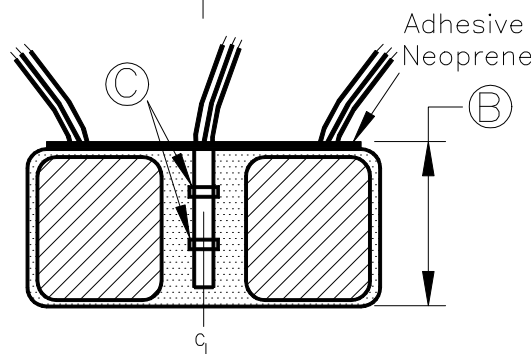
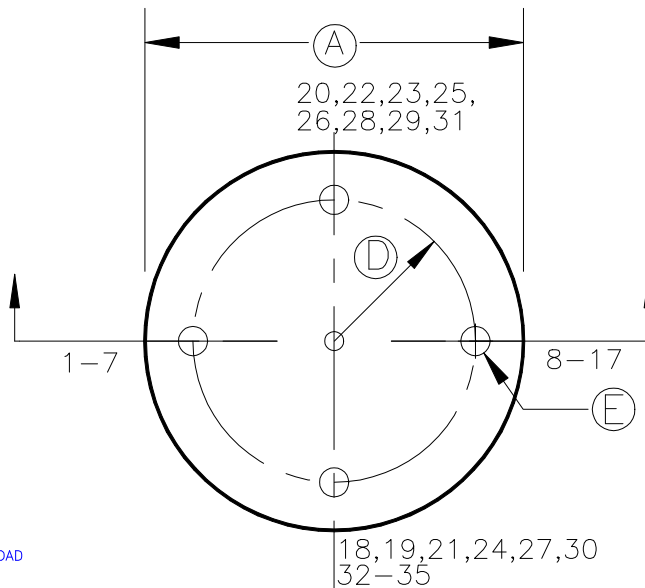
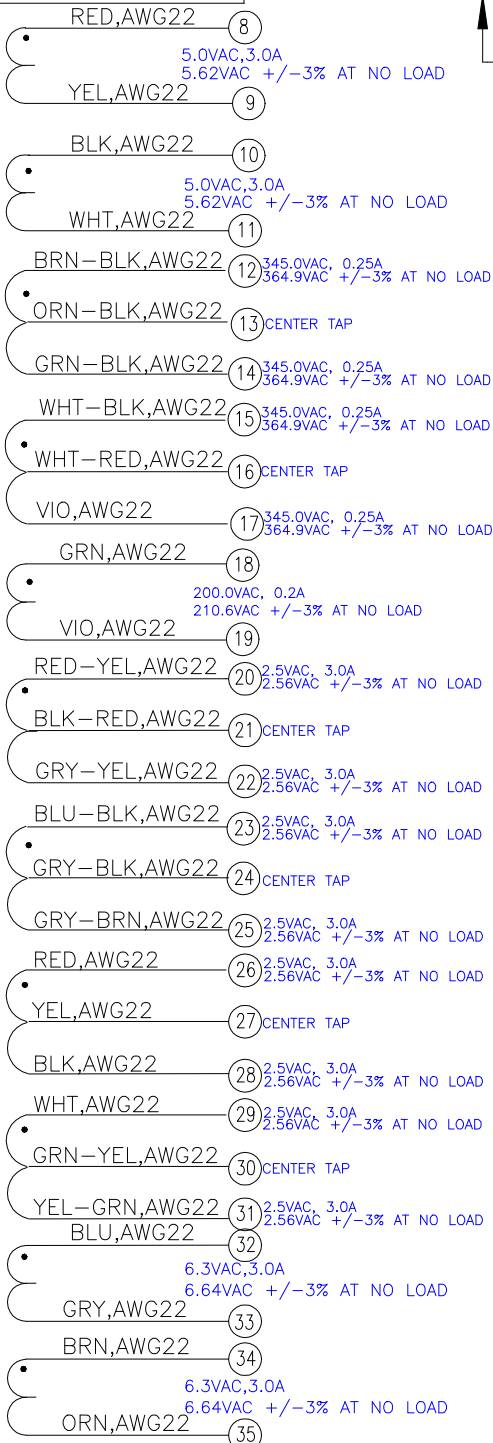
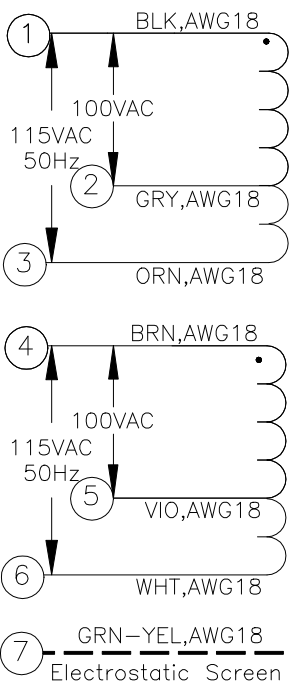


PLITRON

CUSTOMER PART NO:	6901-X0-02
POWER:	512VA
TEMPERATURE RISE:	35.06°C
EFFICIENCY:	93.29%
CORE LOSS:	4.52W
COPPER LOSS:	29.88W
WEIGHT:	8.0kg



REF	DIMENSIONS
A	177.8mm
B	88.9mm
C	5/16"-18 T-NUT
D	65.0+/-5mm
E	25.0+/-10mm

LEAD	LENGTH ±10mm	TERMINATION +3/-0mm
1-35	400	STRIP 6mm

LABEL INFO:

PLITRON MANUFACTURING INC.
6901-X0-02 DATE CODE F:50
INPUT: 2x(0-100-115)VAC
300B PARALLELED SE MAINS TRANSFORMER

NOTES:

- All stranded leads are TEW/UL1015 type wire.
- Transformer is potted in black aluminum can.



This document is the property of Plitron Manufacturing Inc. It is not to be copied or transmitted or used as the basis for manufacturing of apparatus without written permission.
Copyright Plitron Manufacturing Inc.

TOROIDAL POWER TRANSFORMER 512VA, 2X(0-100-115)VAC INPUT, 50 Hz

DESIGN BY:	E.TAM	DATE:	04/26/1999	DWG NO.	6901-X0-02
DRAWN BY:	E.TAM	DATE:	10/18/2000		
CHECKED BY:		DATE:		SCALE	N/A
APPROVED BY:		DATE:		SHEET 1 OF 1	