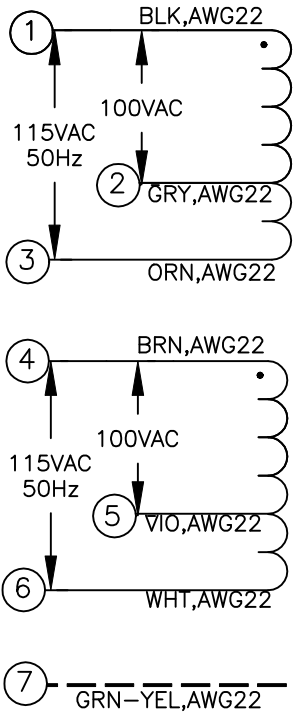
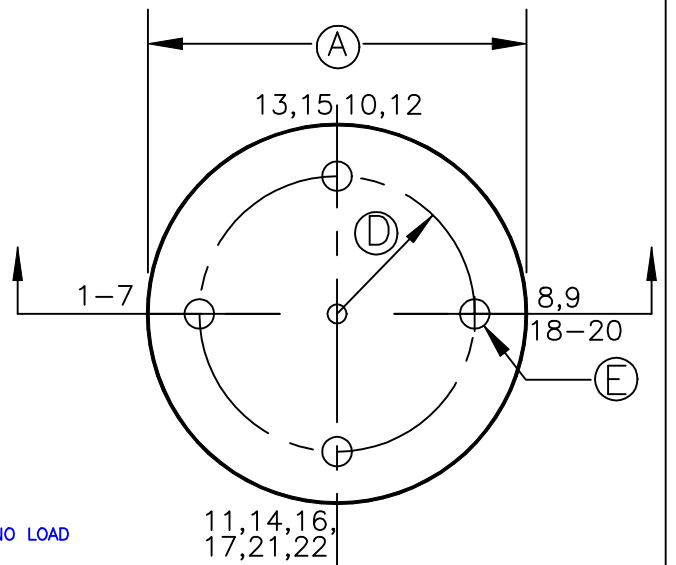
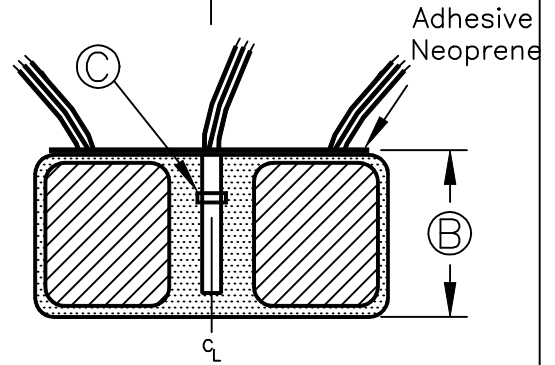


PLITRON

CUSTOMER PART NO:	N/A
POWER:	246VA
TEMPERATURE RISE:	22.29°C
EFFICIENCY:	93.23%
CORE LOSS:	3.40W
COPPER LOSS:	13.29W
WEIGHT:	6.00kg



- RED,AWG18 (8) 5.0VAC,3.0A
5.42VAC +/--3% AT NO LOAD
- YEL,AWG18 (9)
- RED-YEL,AWG18 (10) 2.5VAC,3.0A
2.92VAC +/--3% AT NO LOAD
- RED-BLK,AWG18 (11) CENTER TAP
- VIO,AWG18 (12) 2.5VAC,3.0A
2.92VAC +/--3% AT NO LOAD
- BRN-BLK,AWG18 (13) 2.5VAC, 3.0A
2.92VAC +/--3% AT NO LOAD
- BLK-GRN,AWG18 (14) CENTER TAP
- BRN-WHT,AWG18 (15) 2.5AC,3.0A
2.92VAC +/--3% AT NO LOAD
- BLU,AWG18 (16)
- GRY,AWG18 (17) 6.3VAC, 3.0A
6.67VAC +/--3% AT NO LOAD
- BRN-BLK,AWG22 (18) 345VAC,0.25A
368.8VAC +/--3% AT NO LOAD
- ORN-BLK,AWG22 (19) CENTER TAP
- GRN-BLK,AWG22 (20) 345.0VAC,0.25A
368.8VAC +/--3% AT NO LOAD
- GRN,AWG22 (21)
- VIO,AWG22 (22) 100.0VAC,0.10A
105.8VAC +/--3% AT NO LOAD



REF	DIMENSIONS
A	152.4mm
B	88.9mm
C	5/16"-18 T-NUT
D	50mm +/- 5mm
E	25mm +/- 10mm

LEADS	LENGTH +/-10mm	TERMINATION +3/-0mm
1-22	400	STRIP 6mm

LABEL INFO:

PLITRON MANUFACTURING INC.
6900-X0-02 DATE CODE F:50
INPUT: 2 X (0-100-115)VAC
300B SE MAINS TRANSFORMER

NOTES:

- All stranded leads are TEW/UL1015 type wire.
- Transformer is potted in black aluminum can.



This document is the property of Plitron Manufacturing Inc. It is not to be copied or transmitted or used as the basis for manufacturing of apparatus without written permission.
Copyright Plitron Manufacturing Inc.

TOROIDAL POWER TRANSFORMER 246VA, 2 X (0-100-115)VAC INPUT, 50 Hz

DESIGN BY:	E.TAM	DATE:	04/23/99	DWG NO.	6900-X0-02
DRAWN BY:	GK	DATE:	11/08/99		
CHECKED BY:		DATE:		SCALE	N/A
APPROVED BY:		DATE:			