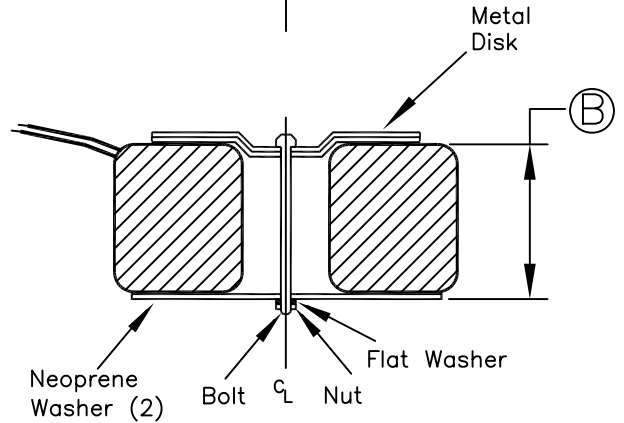
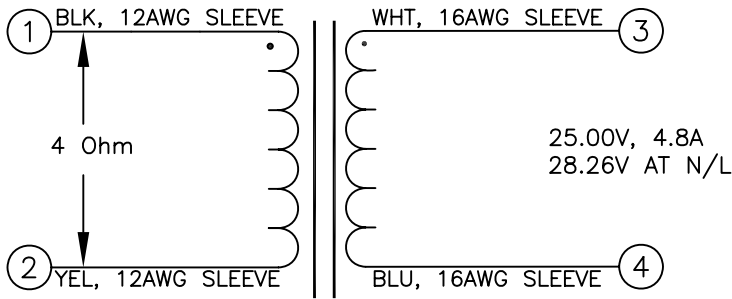
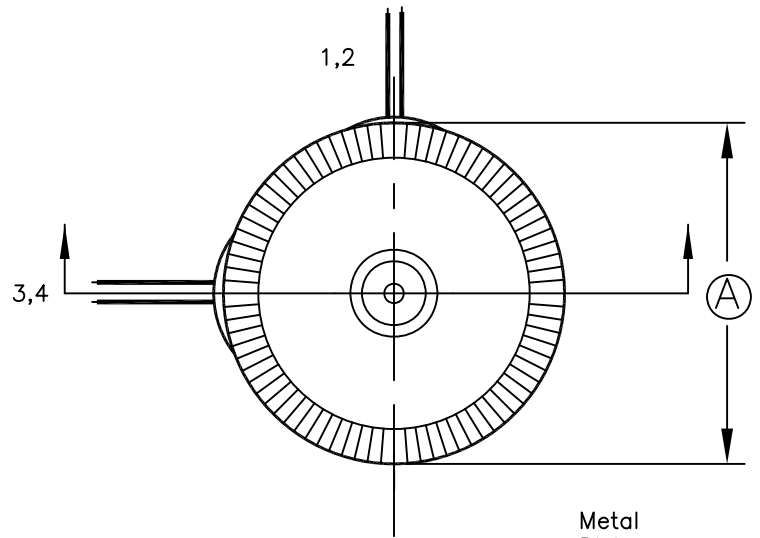


# STANDARD

POWER:	VA	120
TEMPERATURE RISE:	°C	*38
EFFICIENCY:	%	*87
WEIGHT:	kg	*1.9
FREQUENCY:	Hz	35



REF	DIMENSIONS			TOLERANCE
	Unit:	(nom)	(max)	
A	mm	*112		
B	mm	*45		

LEADS	LENGTH ±10mm	TERMINATION +3/-0mm
1-4	200	Strip 6mm

## LABEL

PLITRON MANUFACTURING INC.  
 5AT244/25-01 DATE CODE VA:120 F:35  
 INPUT: 4 Ohms BLK/YEL  
 OUTPUT: 25V WHT/BLU

## NOTES:

1. All leads are magnet wire with PVC sleeve.

\* Calculated value

V=VAC rms A=I rms

C/T= Center Tap

N/L= No load



This document is the property of Plitron Manufacturing Inc. It is not to be copied or transmitted or used as the basis for manufacturing of apparatus without written permission.  
 Copyright Plitron Manufacturing Inc.

## TOROIDAL POWER TRANSFORMER

120VA, 4 Ohms INPUT, 35 Hz

DESIGN BY:

DATE:

DRAWN BY:

DATE:

CHECKED BY:

DATE:

APPROVED BY:

DATE:

DWG NO. 5AT244/25-01

SCALE N/A SHEET 1 OF 1