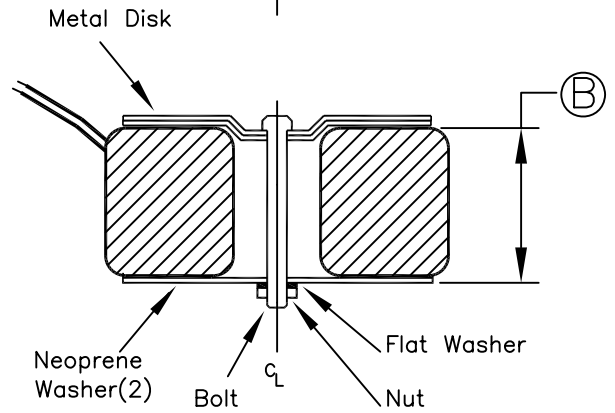
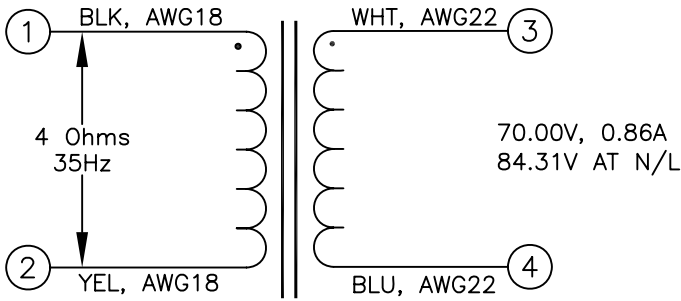
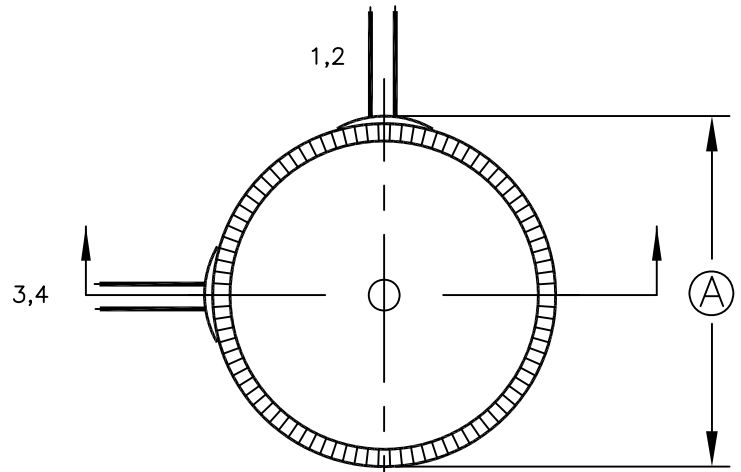


# STANDARD

POWER:	VA	60
TEMPERATURE RISE:	°C	*40
EFFICIENCY:	%	*81
WEIGHT:	kg	*1.1
FREQUENCY:	Hz	35



DIMENSIONS				
REF	Unit:	(nom)	(max)	TOLERANCE
A	mm	*94		
B	mm	*37		

LEADS	LENGTH +19/-6mm	TERMINATION ±3mm
1-4	200	STRIP 15mm


### LABEL

PLITRON MANUFACTURING INC.  
 3AT124/70-02 DATE CODE VA:60 F:35  
 INPUT: 4 Ohms BLK/YEL  
 OUTPUT: 70V WHT/BLU



### NOTES:

1. All stranded leads are rated for 105°C, 600V minimum.

* Calculated value	V=VAC rms A=I rms	C/T= Center Tap	N/L= No load	
 <p>PLITRON MANUFACTURING INC Toronto, Canada M3J 3J2 www.plitron.com</p>	<p>This document is the property of Plitron Manufacturing Inc. It is not to be copied or transmitted or used as the basis for manufacturing of apparatus without written permission. Copyright Plitron Manufacturing Inc.</p>			
	<h2>TOROIDAL POWER TRANSFORMER</h2> <p>60VA, 4 Ohms INPUT, 35 Hz</p>			
	DESIGN BY:	E.TAM	DATE:	12/13/2007
	DRAWN BY:	E.TAM	DATE:	12/13/2007
	CHECKED BY:		DATE:	
APPROVED BY:		DATE:		
		DWG NO.	3AT124/70-02	
		SCALE	N/A SHEET 1 OF 1	