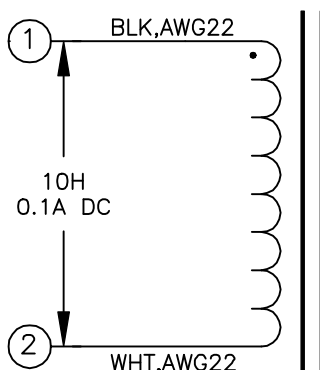
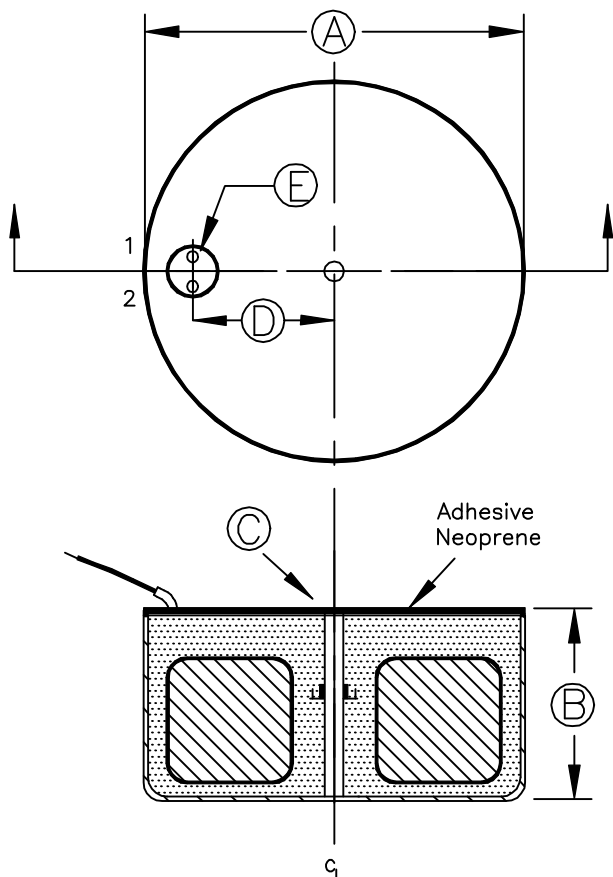


PLITRON

WEIGHT:	kg	*1.6
---------	----	------



REF	DIMENSIONS			TOLERANCE
	Unit:	(nom)	(max)	
A	mm	100		
B	mm	50		
C	inch	5/16-18 T-NUT		
D	mm	40		±3
E	mm	20		±3

LEADS	LENGTH ±10mm	TERMINATION +3/-0mm
1,2	205	Strip 6mm

LABEL INFO:

PLITRON MANUFACTURING INC.
 PAT-4176-00 DATE CODE
 CHOKE:10H @ 0.1A DC
 PLITRON TOROIDAL CHOKE

- NOTES:**
1. All stranded leads are UL3239 type wire.
 2. Transformer is potted in an Aluminum can.
 3. Part supplied with bolt, lock washer, flat washer.
 4. Vanderveen design.

* Calculated value V=VAC rms A=l rms C/T= Center Tap N/L= No load



This document is the property of Plitron Manufacturing Inc. It is not to be copied or transmitted or used as the basis for manufacturing of apparatus without written permission.
 Copyright Plitron Manufacturing Inc.

TOROIDAL CHOKE 10H @ 0.1A DC

DESIGN BY:	M.VANDERVEEN	DATE:	01/14/2000	DWG NO.	PAT-4176-00
DRAWN BY:	GK	DATE:	02/28/2002		
CHECKED BY:		DATE:		SCALE	N/A
APPROVED BY:		DATE:			