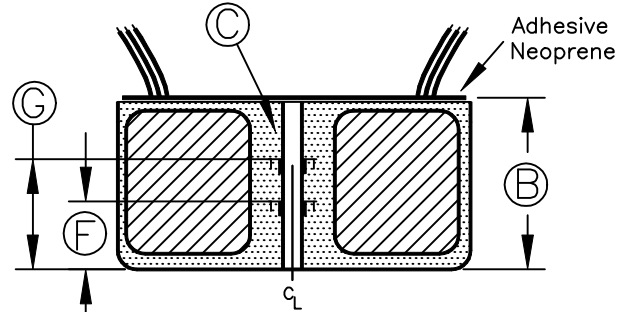
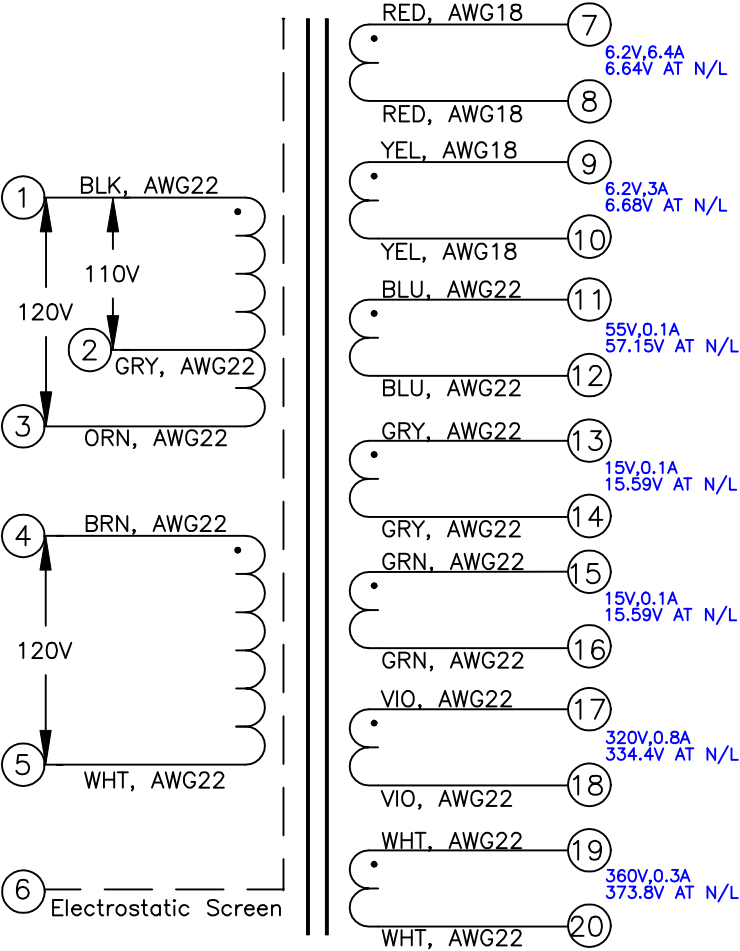
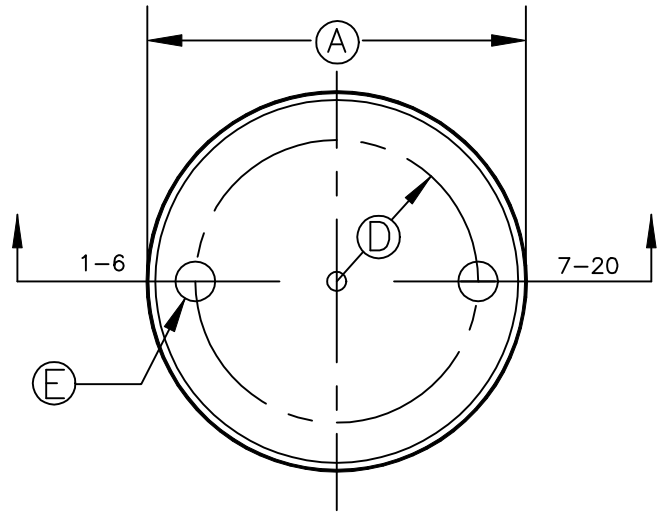


STANDARD

(PART NO: N/A)

POWER:	VA	431
TEMPERATURE RISE:	°C	*22
EFFICIENCY:	%	*95
WEIGHT:	kg	*7.65
FREQUENCY:	Hz	50



REF	DIMENSIONS			TOLERANCE
	Unit:	(nom)	(max)	
A	mm	166.7		
B	mm	107.1		
C	inch	3/8-16 insert (2 Places)		
D	mm	70		±5
E	mm	∅25		±5
F	mm	35		
G	mm	60		

LEADS	LENGTH ±10mm	TERMINATION
1-5	300	STRIP 6mm+3/-0mm
6	300	AMP 276959-2 TERMIFOIL
7-20	300	STRIP 6mm+3/-0mm

LABEL INFO:

PLITRON MANUFACTURING INC.
 4215-X0-02 DATE CODE F:50/60
 INPUT:(0-110-120 0-120VAC)
 STANDARD POWER TRANSFORMER



NOTES:

1. ULC recognised to UL506, UL1411, CSA 22.2 No66-1988 Class A(105°C) Insulation System.
2. Materials and construction is verified by CSA File No.LR 84566-11, to IEC65(EN60065).
3. All stranded leads are TEW/UL1015 type wire.
4. Transformer is potted in metal can.

* Calculated value V=VAC rms A=l rms C/T= Center Tap N/L= No load



This document is the property of Plitron Manufacturing Inc. It is not to be copied or transmitted or used as the basis for manufacturing of apparatus without written permission.
 Copyright Plitron Manufacturing Inc.

100 WATT PER CHANNAL POWER TRANSFORMER

DESIGN BY:	E.TAM	DATE:	08/08/1997	DWG NO. 4215-X0-02
DRAWN BY:	GK	DATE:	05/25/2001	
CHECKED BY:		DATE:		SCALE N/A SHEET 1 OF 1
APPROVED BY:		DATE:		