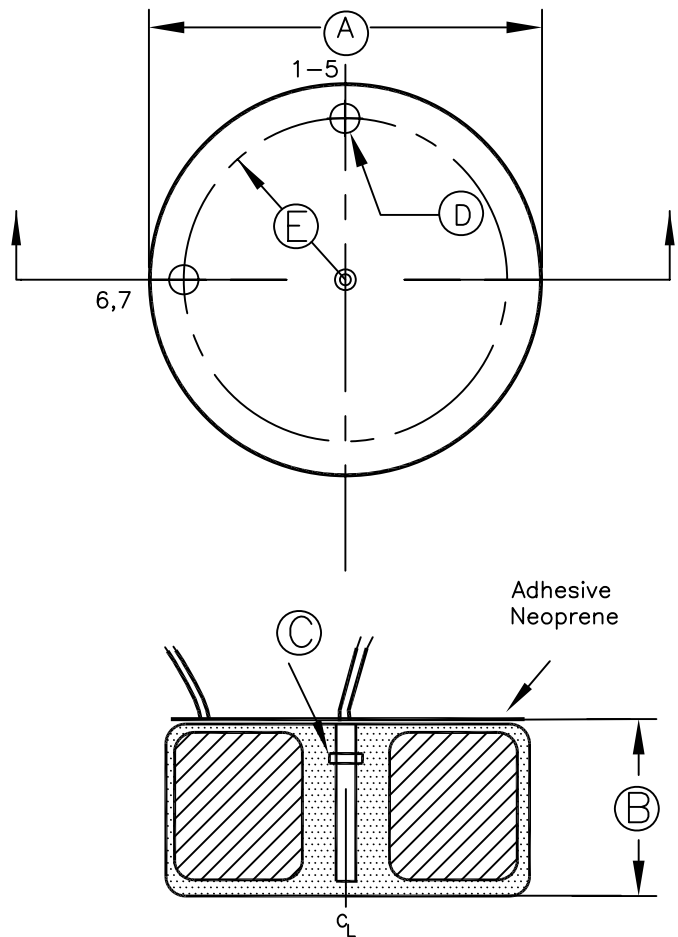
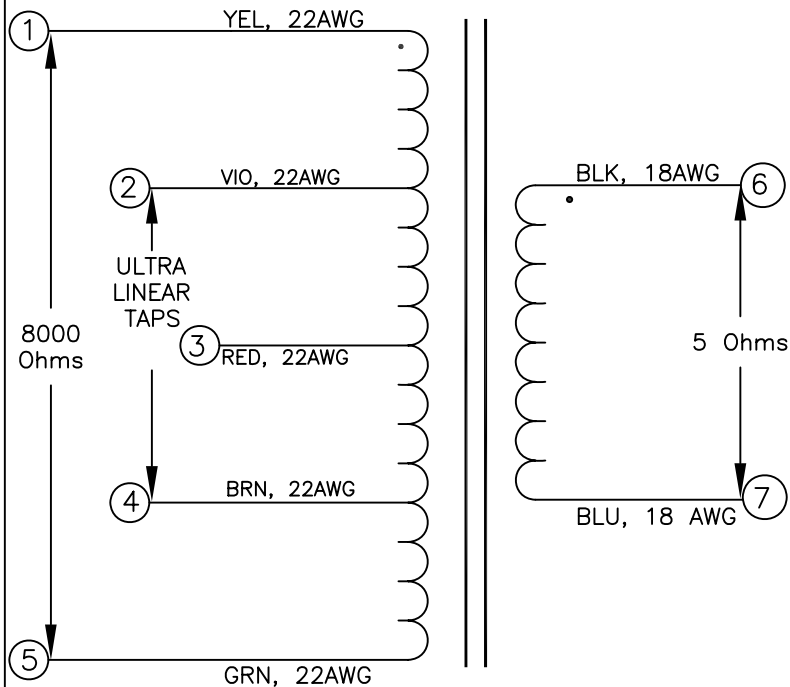


PLITRON

POWER:	VA	20
WEIGHT:	Kg	*2.2



LEADS	LENGTH ±10mm	TERMINATION +3/-0mm
1-7	200	STRIP 6mm

FREQUENCY RESPONSE: (Note 1)
 -3dB Power bandwidth starts at 28.5Hz

1W	-1dB	4Hz - 38KHz
1W	0dB	9Hz - 17KHz
1W	-3dB	2Hz - 74KHz

(Lp) Pri. Inductance (H): 425
 (Lsp) Leakage Inductance (H): .003
 (Cip) Inter-Winding Cap. (F): 4.31 exp (-10)
 (Rip) Pri. Winding Resistance (Ohms): 116.8
 (Ris) Sec. Winding Resistance (Ohms): .161

NOTES:

1. Designed by Vanderveen.
2. Part is encapsulated in Aluminum can.
3. All stranded leads are rated for 105°C, 600V minimum.
4. (Note 1) Specs. based on DC, and phase splitter Voltages balanced in primary halves.
5. Transformer will be supplied with bolt, lock washer and flat washer.

REF	DIMENSIONS			
	Unit:	(nom)	(max)	TOLERANCE
A	mm	125.0		
B	mm	65.0		
C	inch	5/16-18 T-NUT		
D	mm	20.0		±5
E	mm	40.0		±5

LABEL

PLITRON MANUFACTURING INC.
 PAT-4000-01 DATE CODE 20W
 IN: 8000 Ohms YEL/GRN
 SEC: 5 Ohms BLK/BLU VDV 8020
 DESIGNED BY VANDERVEEN

* Calculated value

V=VAC rms A=I rms

C/T= Center Tap

N/L= No load



This document is the property of Plitron Manufacturing Inc. It is not to be copied or transmitted or used as the basis for manufacturing of apparatus without written permission.
 Copyright Plitron Manufacturing Inc.

TOROIDAL OUTPUT TRANSFORMER

DESIGN BY:	VDV	DATE:		DWG NO. PAT-4000-01
DRAWN BY:	RAJIV	DATE:	05/16/2008	
CHECKED BY:		DATE:		SCALE N/A SHEET 1 OF 1
APPROVED BY:		DATE:		